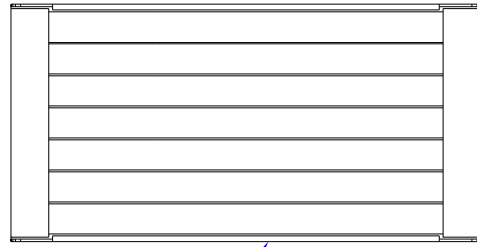
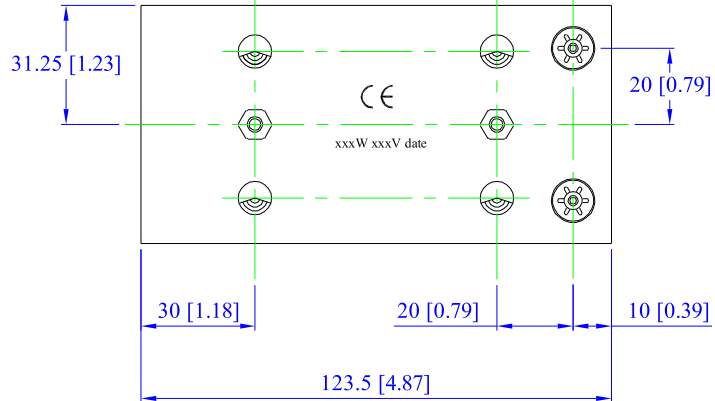
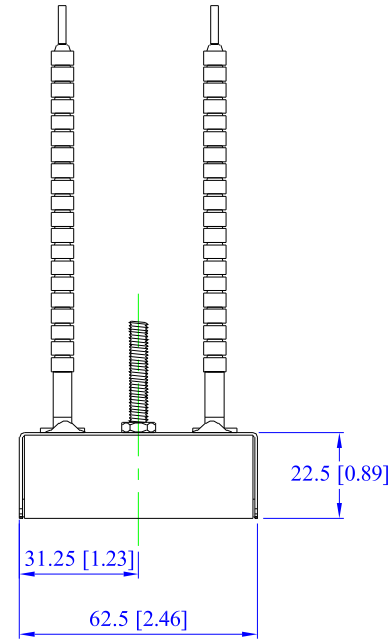
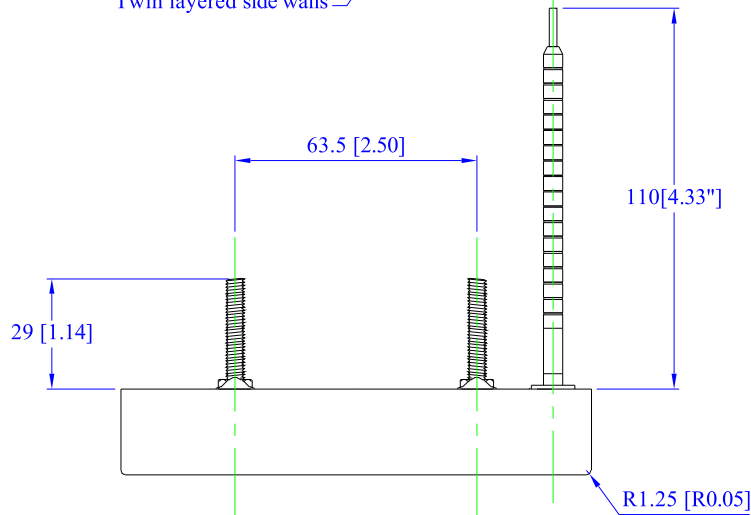


QC Document/WI 25

RevNo	Revision note	Date	Signature	Checked
1	Comers radiused and twin side walls introduced	24/08/01	J.W.	



Twin layered side walls



Note.  
\* All dimensions are mm[inches]

Ref -	Qty -	Standard assembled Half Quartz Element	Part no.
Drawn by J.W.	Checked by	Tolerance +/- 0.5	Filename HQE
Date 06/02/01		Scale Not to scale	
Title Half Quartz Element		Drawing no. 060201B	Edition 1
Sheet 1			

